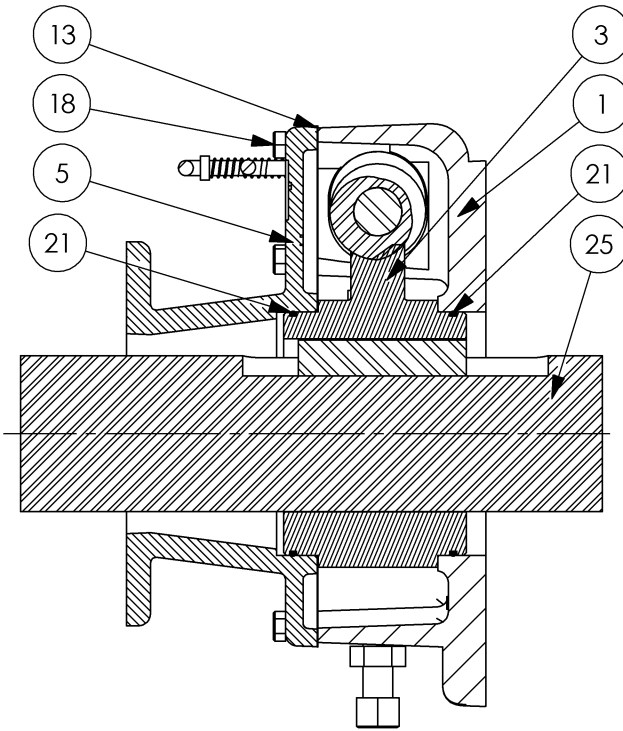
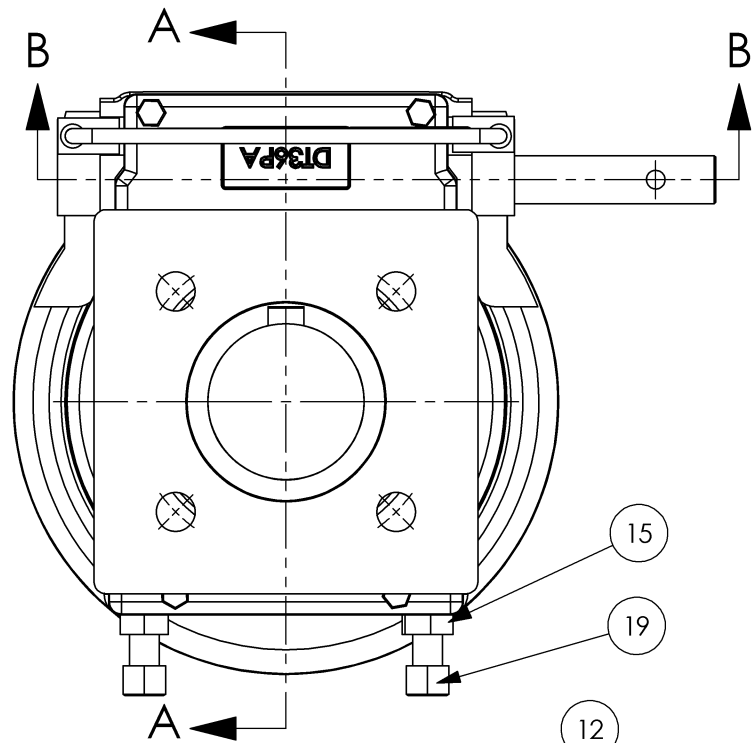
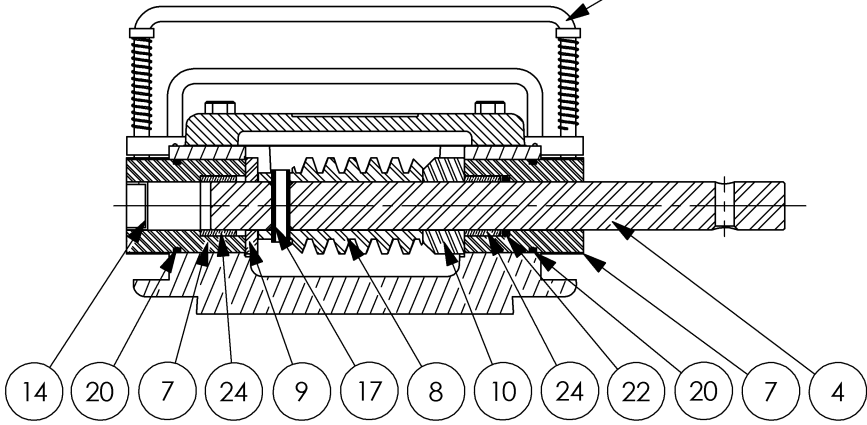
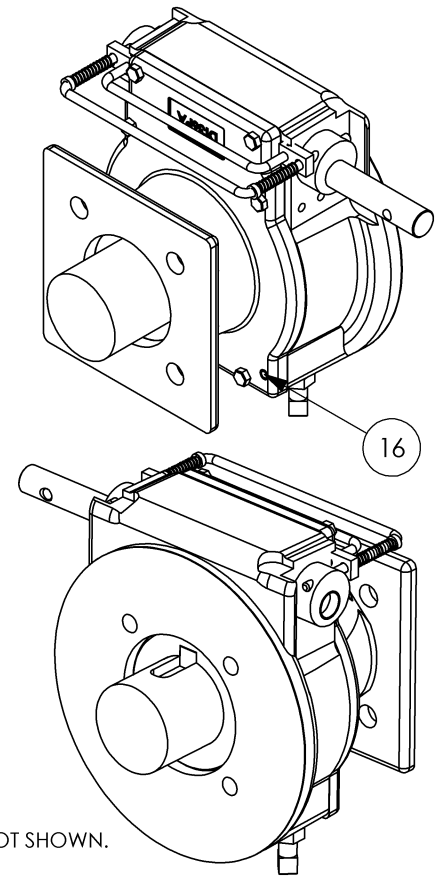


CONSULT FACTORY FOR SPECIAL CONFIGURATIONS.

		SPRING HANDLE LOCKS UNIT IN ENGAGED OR DISENGAGED POSITION. UNIT SHOWN IN ENGAGED POSITION. GREASED FOR LIFE. PLATED STANDARD SHAFT.	<b>MAX DRIVER BORE &amp; KEY</b>		<b>HANDWHEEL</b>		RATIO: 53:1 TORQUE: 36,000 IN LBS [4100 N-M] TEMPERATURE: -20° TO 150°F [-29° TO 66°C] WEIGHT UNIT: 85 LBS [38.6 KG] DRIVER: 28 LBS [12.7 KG] HANDWHEEL: 17 LBS [7.7]				
			MAX IN LINE $\phi$ 1.875 .500 X .375 KEY	MAX $\phi$ 2.500 .750 X .500 KEY	RECOMMENDED $\phi$ : 36 IN RIM PULL AT MAX TORQUE: 150 LBS TURNS FOR 90°: 13.25						
<b>HOUSING MOUNTING PATTERN</b>				<b>COVER MOUNTING PATTERN</b>				<b>MANUAL 1/4 TURN ACTUATOR COMMERCIAL GRADE</b>			
MAX	MAX ON CENTER	STD	MIN	MAX	MAX ON CENTER	STD	MIN	<b>DYNATORQUE DT36 SD</b>		WWW.DYNATORQUE.COM 1/12/06	
$\phi$ 10.250 3/4-10 UNC	$\phi$ 10.250 3/4-10 UNC	$\phi$ 6.496 3/4-10 UNC	$\phi$ 6.000 1/2-13 UNC	$\phi$ 10.000 $\phi$ .688	$\phi$ 7.188 $\phi$ .812	$\phi$ 6.496 $\phi$ .812	$\phi$ 6.000 $\phi$ .563				



SECTION A-A



SECTION B-B

- 6 UNIT IS PAINTED BLACK OXIDE. 23 HWRR 36" NOT SHOWN.
- 11 UNIT BEARINGS, O-RINGS AND GEAR TEETH ARE GREASED.

ITEM	QTY.	DESCRIPTION	ITEM	QTY.	DESCRIPTION
1	1	HOUSING,DT36SD	16	2	DOWEL PIN,.375,1.00
2	4	PLASTIC PLUG FOR SHIPPING	17	1	COIL PIN,.375,1.50
3	1	W/WHEEL,DT36	18	6	HHCS, 3/8-16 X 1.25 LG
4	1	SHAFT,DT36,G=9.00,.391,STD	19	2	SHSS, 5/8-11 X 4.00
5	1	COVER,DT36SD	20	2	O-RING,2-133
6	1	PAINT, PRIMER, BLACK OXIDE	21	2	O-RING,2-157
7	2	DECLUTCH BUSHING, DT36SD	22	1	O-RING,2-214
8	1	WORM,DT36	23	1	HWRR 36"
9	1	WORM SPACER	24	2	BEARING SLV,1.25,1.00,.75
10	1	WORM SPACER	25	1	DR SD, DT36, BLANK
11	1	GREASE, COMMERCIAL GRADE			
12	1	DECLUTCH HANDLE, DT36SD, SS			
13	1	GASKET,DT36			
14	1	EXPANSION PLUG,1.00,.25			
15	2	NUT,JAM,5/8-11			

**DYNATORQUE DT36 SD**  
 WWW.DYNATORQUE.COM  
 1/12/06