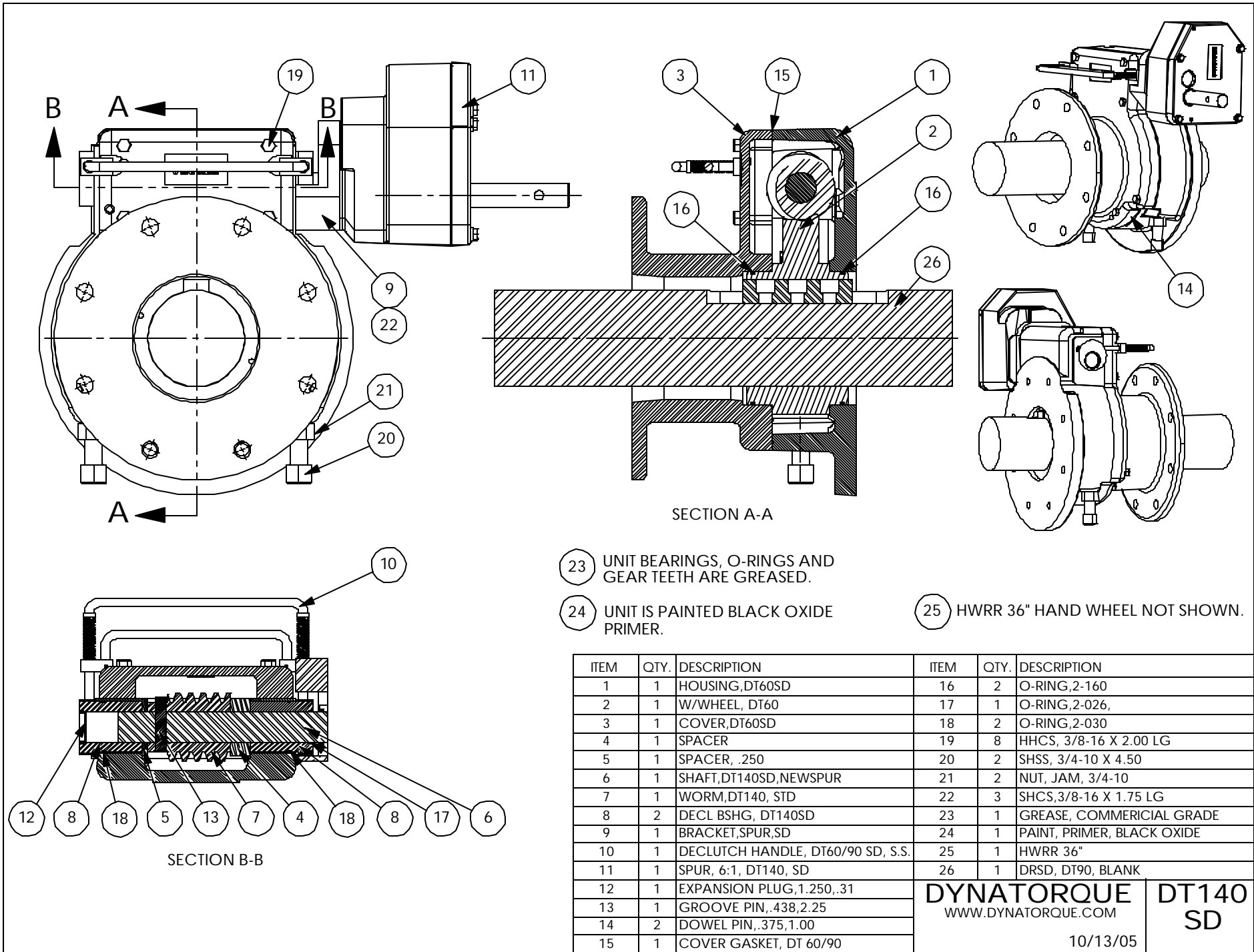


CONSULT FACTORY FOR SPECIAL CONFIGURATIONS.

	SPRING HANDLE LOCKS UNIT IN ENGAGED OR DISENGAGED POSITION. UNIT SHOWN IN ENGAGED POSITION. GREASED FOR LIFE. PLATED STANDARD SHAFT.	MAX DRIVER BORE & KEY		HANDWHEEL	RATIO: 360:1 TORQUE: 140,000 IN LBS [15823 N-M] TEMPERATURE: -20° TO 150°F [-29° TO 66°C] WEIGHT UNIT: 187 LBS [85 KG] DRIVER: 67 LBS [30.5 KG] HANDWHEEL: 17 LBS [7.7 KG]
		MAX IN LINE	MAX		
		ϕ 2.125 .500 X .375 KEY	ϕ 3.125 .750 X .500 KEY		

HOUSING MOUNTING PATTERN				COVER MOUNTING PATTERN				MANUAL 1/4 TURN ACTUATOR COMMERCIAL GRADE DYNATORQUE WWW.DYNATORQUE.COM 10/13/05		DT140 SD
MAX	MAX ON CENTER	STD	MIN	MAX	MAX ON CENTER	STD	MIN			
ϕ 11.750 3/4-10	ϕ 11.750 3/4-10	ϕ 10.000 5/8-11	ϕ 6.500 3/4-10	ϕ 10.750 ϕ .812	ϕ 10.750 ϕ .812	ϕ 10.000 ϕ .688	ϕ 8.500 ϕ .688			



- 23 UNIT BEARINGS, O-RINGS AND GEAR TEETH ARE GREASED.
- 24 UNIT IS PAINTED BLACK OXIDE PRIMER.

25 HWRR 36" HAND WHEEL NOT SHOWN.

ITEM	QTY.	DESCRIPTION	ITEM	QTY.	DESCRIPTION			
1	1	HOUSING, DT60SD	16	2	O-RING, 2-160			
2	1	W/WHEEL, DT60	17	1	O-RING, 2-026,			
3	1	COVER, DT60SD	18	2	O-RING, 2-030			
4	1	SPACER	19	8	HHCS, 3/8-16 X 2.00 LG			
5	1	SPACER, .250	20	2	SHSS, 3/4-10 X 4.50			
6	1	SHAFT, DT140SD, NEWSPUR	21	2	NUT, JAM, 3/4-10			
7	1	WORM, DT140, STD	22	3	SHCS, 3/8-16 X 1.75 LG			
8	2	DECL BSHG, DT140SD	23	1	GREASE, COMMERCIAL GRADE			
9	1	BRACKET, SPUR, SD	24	1	PAINT, PRIMER, BLACK OXIDE			
10	1	DECLUTCH HANDLE, DT60/90 SD, S.S.	25	1	HWRR 36"			
11	1	SPUR, 6:1, DT140, SD	26	1	DRSD, DT90, BLANK			
12	1	EXPANSION PLUG, 1.250, .31	DYNATORQUE WWW.DYNATORQUE.COM					
13	1	GROOVE PIN, .438, 2.25				DT140 SD		
14	2	DOWEL PIN, .375, 1.00						
15	1	COVER GASKET, DT 60/90	10/13/05					