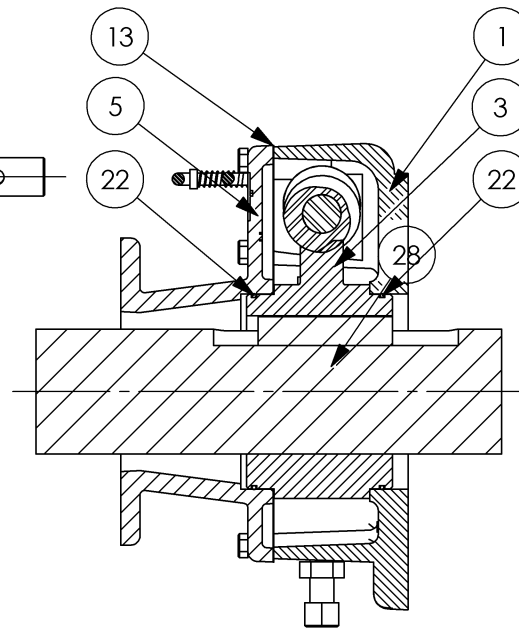
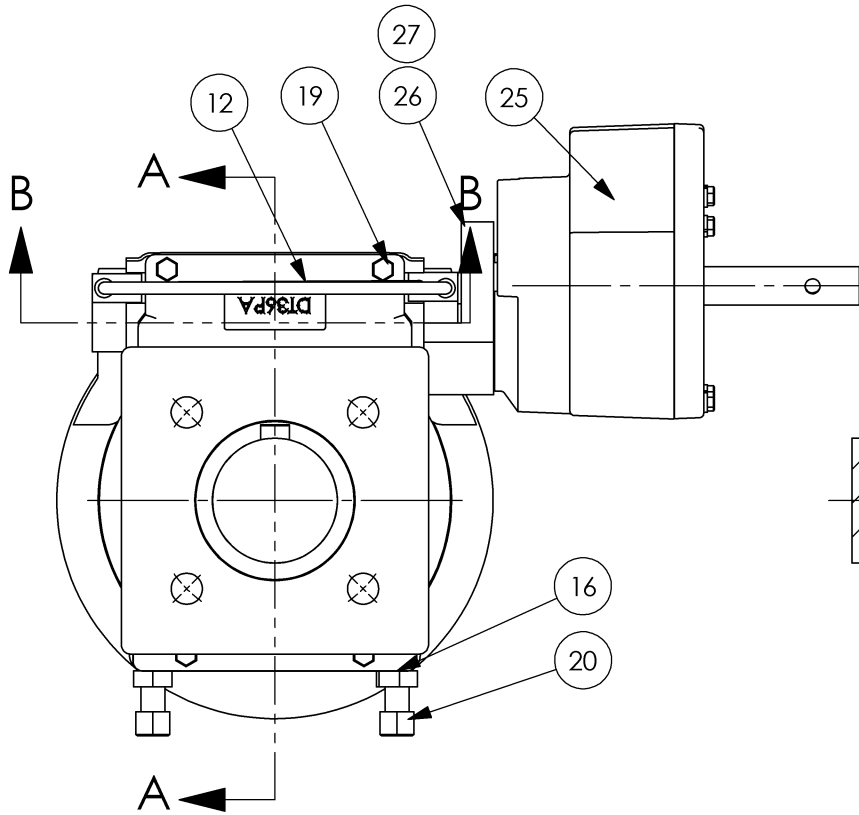


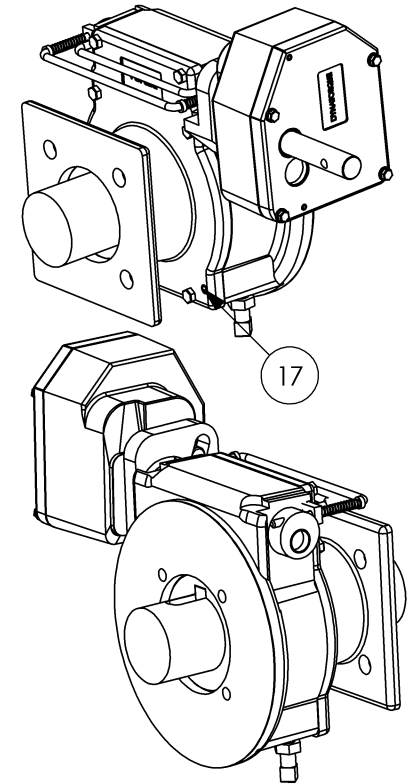
CONSULT FACTORY FOR SPECIAL CONFIGURATIONS.

	SPRING HANDLE LOCKS UNIT IN ENGAGED OR DISENGAGED POSITION. UNIT SHOWN IN ENGAGED POSITION. GREASED FOR LIFE. PLATED STANDARD SHAFT.	MAX DRIVER BORE & KEY		HANDWHEEL RATIO: 212:1 TORQUE: 50,000 IN LBS [5656 N-M] TEMPERATURE: -20° TO 150°F [-29° TO 66°C] WEIGHT UNIT: 123 LBS [55.9 KG] DRIVER: 28 LBS [12.7 KG] HANDWHEEL: 17 LBS [7.7 KG]
		MAX IN LINE ϕ 1.875 1.00 X .750 KEY	MAX ϕ 2.500 .750 X .500 KEY	

HOUSING MOUNTING PATTERN				COVER MOUNTING PATTERN				MANUAL 1/4 TURN ACTUATOR COMMERCIAL GRADE DYNATORQUE DT50 SD WWW.DYNATORQUE.COM 1/12/06	
MAX ϕ 10.250 3/4-10 UNC	MAX ON CENTER ϕ 10.250 3/4-10 UNC	STD ϕ 6.496 3/4-10 UNC	MIN ϕ 6.000 1/2-13 UNC	MAX ϕ 10.000 ϕ .688	MAX ON CENTER ϕ 7.188 ϕ .812	STD ϕ 6.496 ϕ .812	MIN ϕ 6.000 ϕ .563		



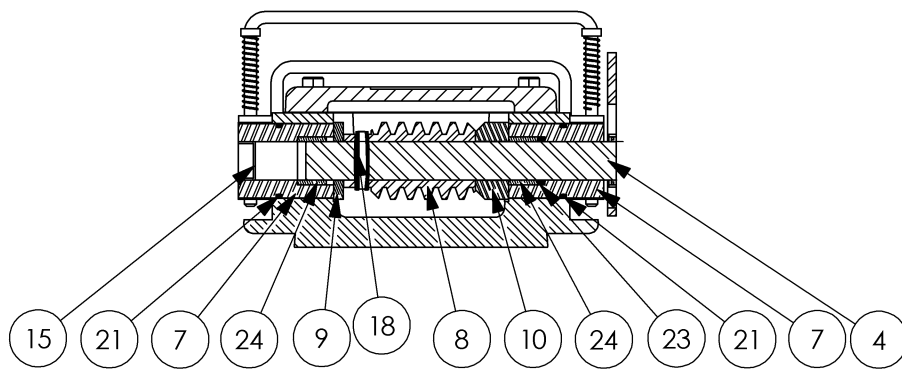
SECTION A-A



6 UNIT IS PAINTED BLACK OXIDE.

11 UNIT BEARINGS, O-RINGS AND GEAR TEETH ARE GREASED.

14 HWRR 36" HANDWHEEL NOT SHOWN.



SECTION B-B

ITEM	QTY.	DESCRIPTION	ITEM	QTY.	DESCRIPTION
1	1	HOUSING, DT36	17	2	DOWEL PIN,.375,1.00
2	4	PLASTIC PLUG FOR SHIPPING	18	1	COIL PIN,.375,1.50
3	1	W/WHEEL,DT36	19	6	HHCS, 3/8-16 X 1.25 LG
4	1	SHAFT,DT50/54SD	20	2	SHSS, 5/8-11 X 4.00
5	1	COVER,DT36SD	21	2	O-RING,2-133
6	1	PAINT, PRIMER, BLACK OXIDE	22	2	O-RING,2-157
7	2	DECLUTCH BUSHING, DT36SD	23	1	O-RING,2-214
8	1	WORM,DT36	24	2	BEARING SLV,1.25,1.00,.75
9	1	WORM SPACER	25	1	SPUR, 4:1, SD
10	1	WORM SPACER	26	1	BRACKET,SPUR,SD
11	1	GREASE, COMMERCIAL GRADE	27	3	SHCS,3/8-16 X 1.75 LG
12	1	DECLUTCH HANDLE, DT36SD, SS	28	1	DR SD, DT36, BLANK
13	1	GASKET,DT36	DYNATORQUE DT50 SD WWW.DYNATORQUE.COM 1/12/06		
14	1	HWRR 36"			
15	1	EXPANSION PLUG,1.00,.25			
16	2	NUT,JAM,5/8-11			