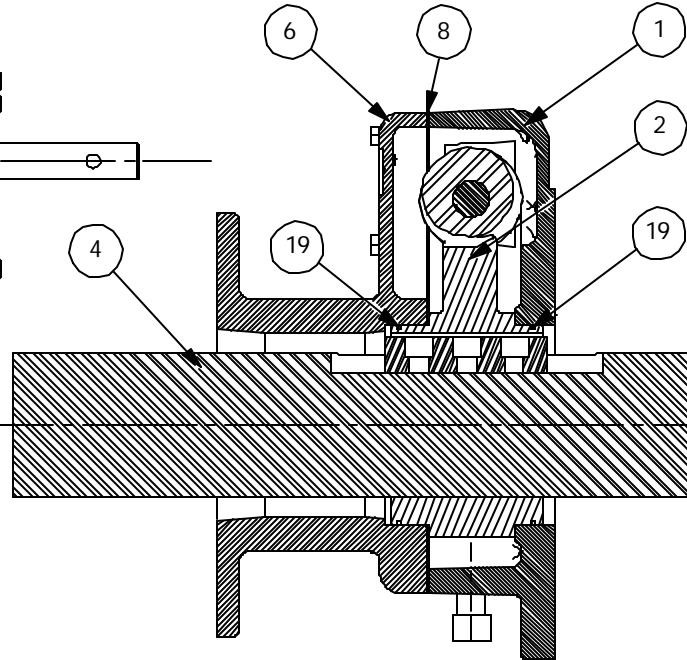
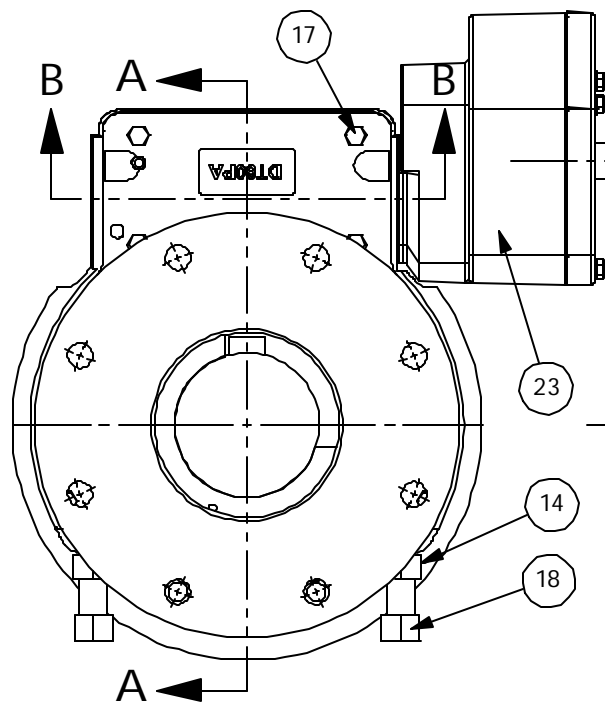


CONSULT FACTORY FOR SPECIAL CONFIGURATIONS.

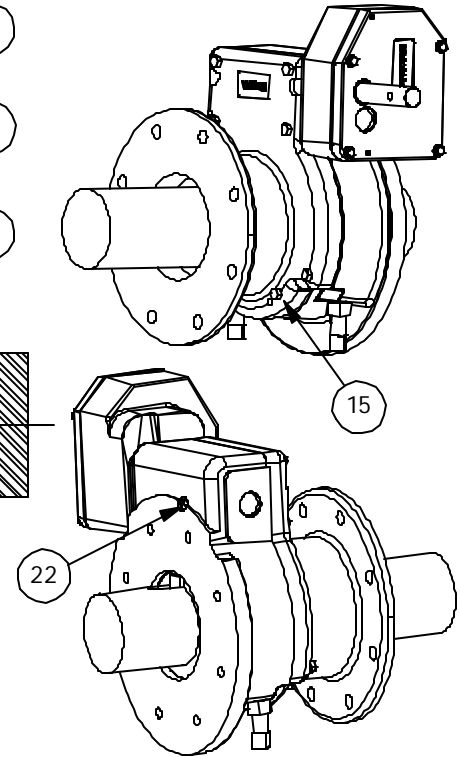
	POS 1 POS 2 (STD)	UNITS ARE AVAILABLE IN FAIL CLOCKWISE OR FAIL COUNTERCLOCKWISE, UNIT SHOWN IN HOME POSITION FOR FAIL CLOCKWISE. GREASED FOR LIFE. PLATED STANDARD SHAFT.	MAX DRIVER BORE & KEY		HANDWHEEL RECOMMENDED: ϕ : 36 IN RIM PULL AT MAX TORQUE: 100LBS TURNS FOR 90°: 60	RATIO: 240:1 TORQUE: 90,000 IN LBS [10171 N-M] TEMPERATURE: -20° TO 150°F [-29° TO 66°C] WEIGHT UNIT: 174 LBS [79.1 KG] DRIVER: 67 LBS [30.5 KG] HANDWHEEL: 17 LBS [7.7 KG]
			MAX IN LINE ϕ 2.125 .500 X .375 KEY	MAX ϕ 3.125 .750 X .500 KEY		

HOUSING MOUNTING PATTERN				COVER MOUNTING PATTERN				MANUAL 1/4 TURN ACTUATOR COMMERCIAL GRADE DYNATORQUE WWW.DYNATORQUE.COM DT90 SRD	
MAX ϕ 11.750 3/4-10	MAX ON CENTER ϕ 11.750 3/4-10	STD ϕ 10.000 5/8-11	MIN ϕ 6.500 3/4-10	MAX ϕ 10.750 ϕ .812	MAX ON CENTER ϕ 10.750 ϕ .812	STD ϕ 10.000 ϕ .688	MIN ϕ 8.500 ϕ .688		

9/29/05



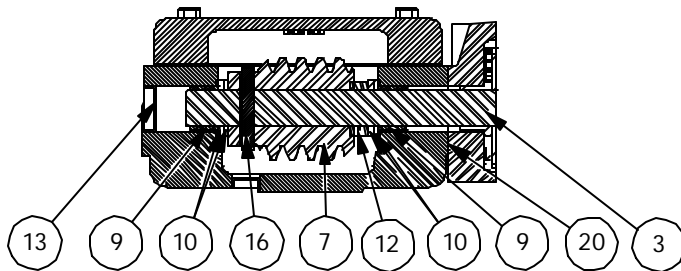
SECTION A-A



5 UNIT IS PAINTED BLACK OXIDE PRIMER.

11 UNIT BEARINGS, O-RINGS AND GEAR TEETH ARE GREASED.

21 HWRR 36" HAND WHEEL NOT SHOWN.



SECTION B-B

ITEM	QTY.	DESCRIPTION	ITEM	QTY.	DESCRIPTION
1	1	HOUSING, DT60	15	2	DOWEL PIN, .375,1.00
2	1	W/WHEEL, DT60/90 SRD	16	1	GROOVE PIN, .375,2.25
3	1	SHAFT,DT90	17	8	HHCS, 3/8-16 X 2.00 LG
4	1	DRSD, DT90, BLANK	18	2	SHSS, 3/4-10 X 4.50
5	1	PAINT, PRIMER, BLACK OXIDE	19	2	O-RING,2-160
6	1	COVER,DT60SD	20	1	GASKET
7	1	WORM,DT60, STD	21	1	HWRR 36"
8	1	COVER GASKET, DT 60/90	22	1	EXP. PLUG,.750,.25,300 SERIES SS
9	2	BEARING SLV,1.25,1.00,.81	23	1	SPUR, 4:1
10	4	BEARING RACE TORR TRD 1625			
11	1	GREASE, COMMERCIAL GRADE			
12	1	SPACER			
13	1	EXPANSION PLUG,1.250,.31			
14	2	NUT, JAM, 3/4-10			

DYNATORQUE
WWW.DYNATORQUE.COM

**DT90
SRD**

9/29/05