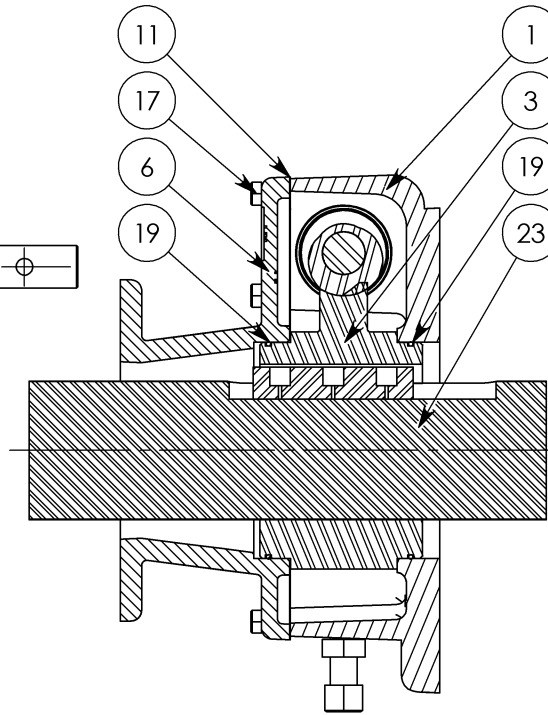
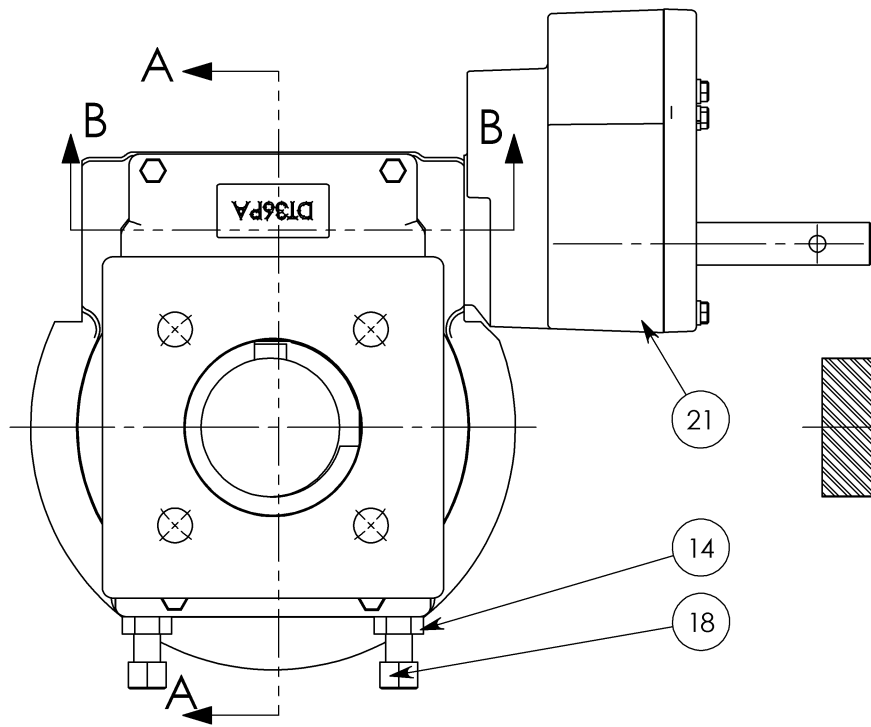


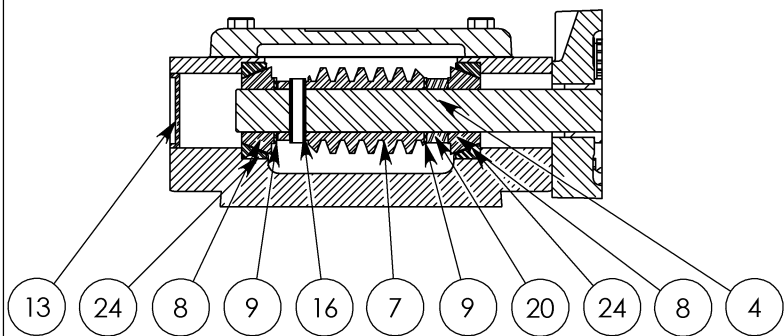
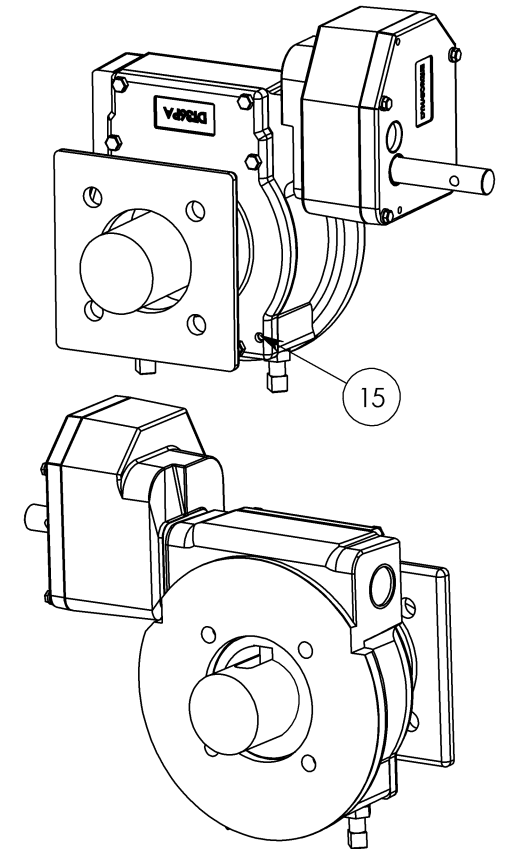
CONSULT FACTORY FOR SPECIAL CONFIGURATIONS.

	POS 1 POS 2 (STD)	UNITS ARE AVAILABLE IN FAIL CLOCKWISE OR FAIL COUNTERCLOCKWISE, UNIT SHOWN IN HOME POSITION FOR FAIL CLOCKWISE. GREASED FOR LIFE. PLATED STANDARD SHAFT.	MAX DRIVER BORE & KEY		HANDWHEEL RECOMMENDED ϕ : 18 IN RIM PULL AT MAX TORQUE: 77 LBS TURNS FOR 90°: 79	RATIO: 318:1 TORQUE: 63,000 IN LBS [7119 N-M] TEMPERATURE: -20° TO 150°F [-29° TO 66°C] WEIGHT UNIT: 117 LBS [53.2 KG] DRIVER: 28 LBS [12.7 KG] HANDWHEEL: 6 LBS [2.7 KG]
			MAX IN LINE $\phi 1.875$.500 X .375 KEY	MAX $\phi 2.500$.750 X .500 KEY		

HOUSING MOUNTING PATTERN				COVER MOUNTING PATTERN				MANUAL 1/4 TURN ACTUATOR COMMERCIAL GRADE	
MAX	MAX ON CENTER	STD	MIN	MAX	MAX ON CENTER	STD	MIN	DYNATORQUE	DT54 SRD
$\phi 10.250$ 3/4-10 UNC	$\phi 10.250$ 3/4-10 UNC	$\phi 6.496$ 3/4-10 UNC	$\phi 6.000$ 1/2-13 UNC	$\phi 10.000$ $\phi .688$	$\phi 7.188$ $\phi .812$	$\phi 6.500$ $\phi .781$	$\phi 6.000$ $\phi .563$		



SECTION A-A



SECTION B-B

5 UNIT IS PAINTED BLACK OXIDE.

10 UNIT BEARINGS, O-RINGS AND GEAR TEETH ARE GREASED.

22 HWRR 18" HANDWHEEL NOT SHOWN.

ITEM	QTY.	DESCRIPTION	ITEM	QTY.	DESCRIPTION
1	1	HOUSING, DT36	15	2	DOWEL PIN, .375, 1.00
2	4	PLASTIC PLUG FOR SHIPPING	16	1	COIL PIN, .375, 1.50
3	1	W/WHEEL, DT36SRD, STD	17	6	HHCS, 3/8-16 X 1.25 LG
4	1	SHAFT, DT50/54	18	2	SHSS, 5/8-11 X 4.00
5	1	PAINT, PRIMER, BLACK OXIDE	19	2	O-RING, 2-157
6	1	COVER, DT36SD	20	1	SPACER
7	1	WORM, DT36	21	1	SPUR, 6:1
8	2	ROLLER BRG, CONE	22	1	HWRR 18"
9	2	THRUST WASHER, 1.00, .061	23	1	DR DEL, DT36SRD, BLANK
10	1	GREASE, COMMERCIAL GRADE	24	2	ROLLER BRG, CUP
11	1	GASKET, DT36			DYNATORQUE DT54 SRD WWW.DYNATORQUE.COM 1/11/06
12	1	---			
13	1	EXPANSION PLUG, 1.75, .23			
14	2	NUT, JAM, 5/8-11			