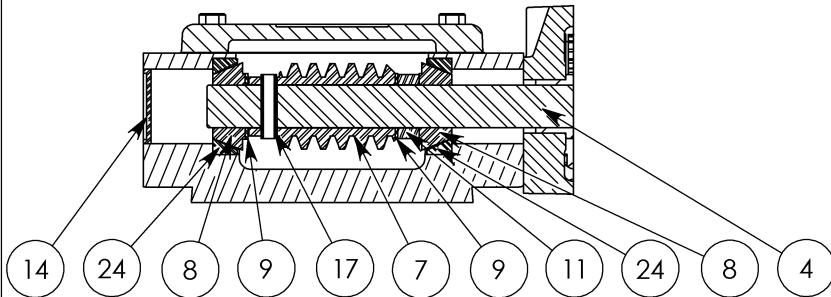
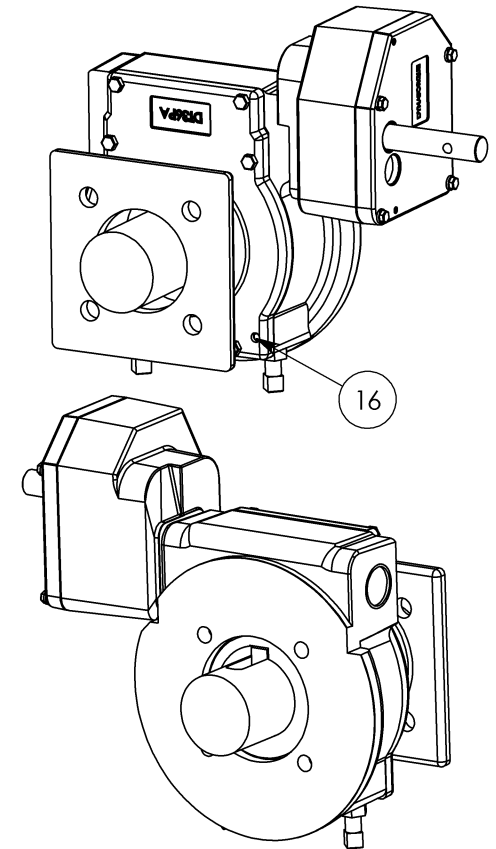


SECTION A-A



SECTION B-B

5 UNIT IS PAINTED BLACK OXIDE.

10 UNIT BEARINGS, O-RINGS AND GEAR TEETH ARE GREASED.

22 HWRR 20" HANDWHEEL NOT SHOWN.

ITEM	QTY.	DESCRIPTION	ITEM	QTY.	DESCRIPTION
1	1	HOUSING, DT36	15	2	NUT, JAM, 5/8-11
2	4	PLASTIC PLUG FOR SHIPPING	16	2	DOWEL PIN, .375, 1.00
3	1	W/WHEEL, DT36SRD, STD	17	1	COIL PIN, .375, 1.50
4	1	SHAFT, DT50/54	18	6	HHCS, 3/8-16 X 1.25 LG
5	1	PAINT, PRIMER, BLACK OXIDE	19	2	SHSS, 5/8-11 X 4.00
6	1	COVER, DT36SD	20	2	O-RING, 2-157
7	1	WORM, DT36	21	1	SPUR, 4:1
8	2	ROLLER BRG, CONE	22	1	HWRR 20"
9	2	THRUST WASHER, 1.00, .061	23	1	DR DEL, DT36SRD, BLANK
10	1	GREASE, COMMERCIAL GRADE	24	2	ROLLER BRG, CUP
11	1	SPACER			
12	1	GASKET, DT36			
13	1	----			
14	1	EXPANSION PLUG, 1.75, .23			

DYNATORQUE DT50 SRD
 WWW.DYNATORQUE.COM
 1/11/06