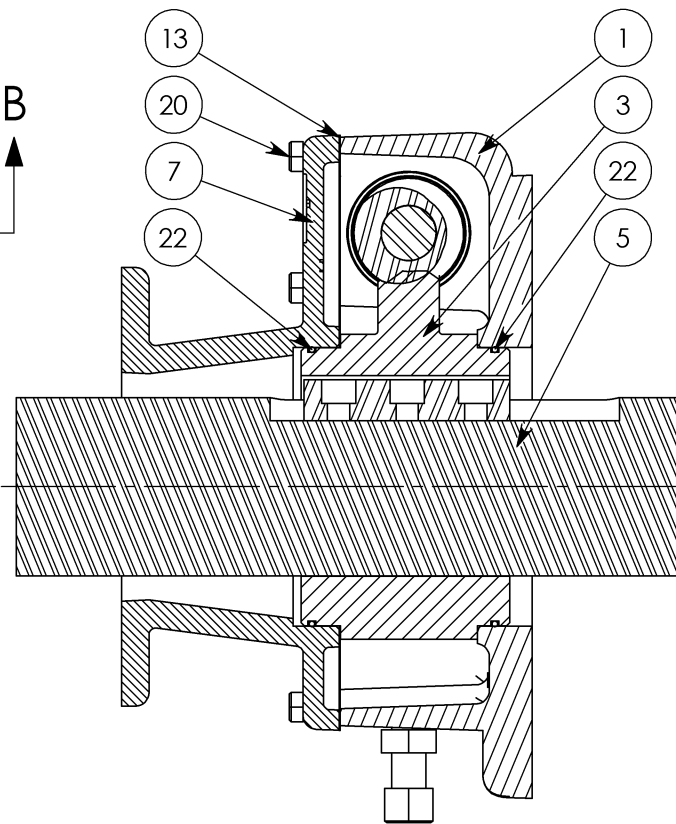
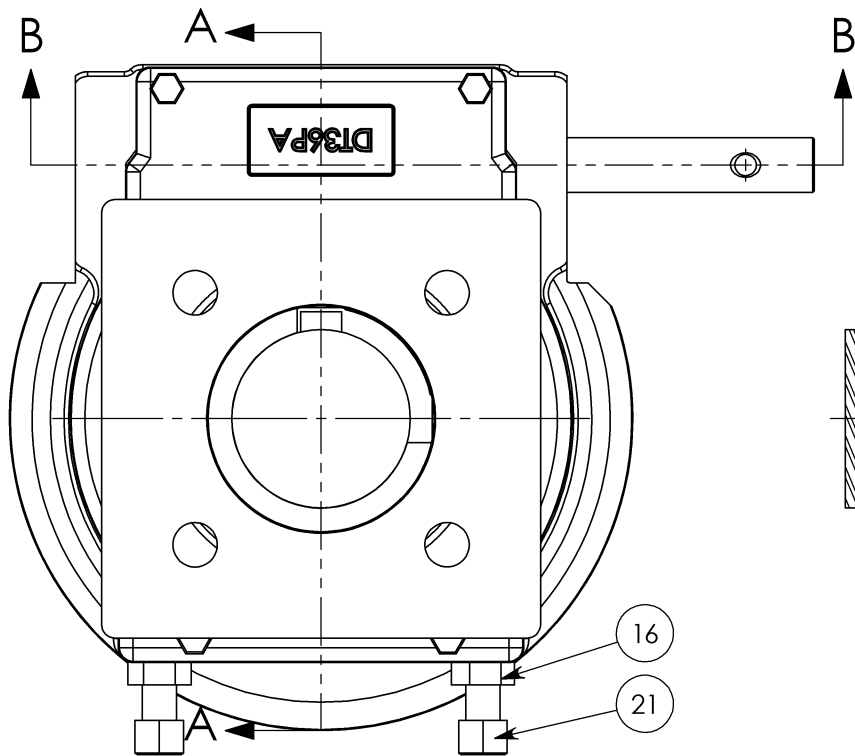


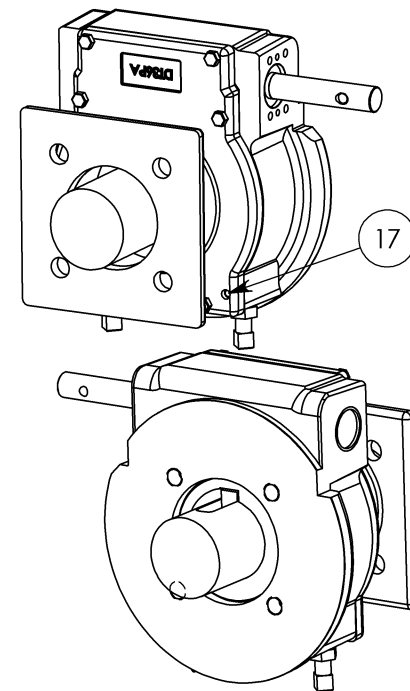
CONSULT FACTORY FOR SPECIAL CONFIGURATIONS.

		UNITS ARE AVAILABLE IN FAIL CLOCKWISE OR FAIL COUNTERCLOCKWISE, UNIT SHOWN IN HOME POSITION FOR FAIL CLOCKWISE.  GREASED FOR LIFE.  PLATED STANDARD SHAFT.	<b>MAX DRIVER BORE &amp; KEY</b>		<b>HANDWHEEL</b>  RECOMMENDED $\phi$ : 36 IN RIM PULL AT MAX TORQUE: 105 LBS TURNS FOR 90°: 13.25	RATIO: 53:1 TORQUE: 36,000 IN LBS [4068 N-M] TEMPERATURE: -20° TO 150°F [-29° TO 66°C]  WEIGHT UNIT: 81 LBS [36.8 KG] DRIVER: 28 LBS [12.7 KG] HANDWHEEL: 17 LBS [7.7 KG]
			MAX IN LINE $\phi$ 1.875 .500 X .375 KEY	MAX $\phi$ 2.500 .750 X .500 KEY		

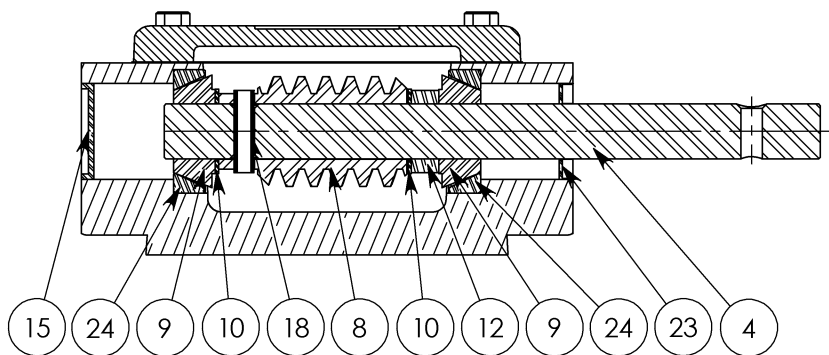
<b>HOUSING MOUNTING PATTERN</b>				<b>COVER MOUNTING PATTERN</b>				<b>MANUAL 1/4 TURN ACTUATOR COMMERCIAL GRADE</b>	
MAX	MAX ON CENTER	STD	MIN	MAX	MAX ON CENTER	STD	MIN		
$\phi$ 10.250 3/4-10 UNC	$\phi$ 10.250 3/4-10 UNC	$\phi$ 6.496 3/4-10 UNC	$\phi$ 6.000 1/2-13 UNC	$\phi$ 10.000 $\phi$ .688	$\phi$ 7.188 $\phi$ .812	$\phi$ 6.500 $\phi$ .781	$\phi$ 6.000 $\phi$ .563	<b>DYNATORQUE DT36 SRD</b> WWW.DYNATORQUE.COM 1/11/06	



SECTION A-A



- 6 UNIT IS PAINTED BLACK OXIDE.
- 11 UNIT BEARINGS, O-RINGS AND GEAR TEETH ARE GREASED.
- 19 HWRR 36" HANDWHEEL NOT SHOWN.



SECTION B-B

ITEM	QTY.	DESCRIPTION	ITEM	QTY.	DESCRIPTION
1	1	HOUSING, DT36	15	1	EXPANSION PLUG,1.75,.23
2	1	PLASTIC PLUG FOR SHIPPING	16	2	NUT,JAM,5/8-11
3	1	W/WHEEL,DT36SRD,STD	17	2	DOWEL PIN,.375,1.00
4	1	SHAFT,DT36,G=9.00,.391,STD	18	1	COIL PIN,.375,1.50
5	1	DR DEL,DT36SRD,BLANK	19	1	HWRR 36"
6	1	PAINT, PRIMER, BLACK OXIDE	20	6	HHCS, 3/8-16 X 1.25 LG
7	1	COVER,DT36SD	21	2	SHSS, 5/8-11 X 4.00
8	1	WORM,DT36	22	2	O-RING,2-157
9	2	ROLLER BRG, CONE	23	1	LIP SEAL,1.00
10	2	THRUST WASHER,1.00,.061	24	2	ROLLER BRG, CUP
11	1	GREASE, COMMERCIAL GRADE	<b>DYNATORQUE DT36 SRD</b> WWW.DYNATORQUE.COM 1/11/06		
12	1	SPACER			
13	1	GASKET,DT36			
14	1	----			