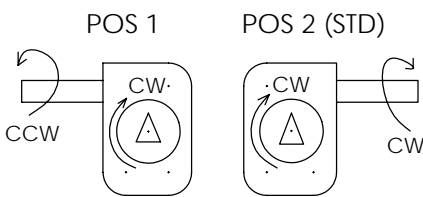


CONSULT FACTORY FOR SPECIAL CONFIGURATIONS.



UNITS ARE AVAILABLE IN FAIL CLOCKWISE OR FAIL COUNTERCLOCKWISE, UNIT SHOWN IN HOME POSITION FOR FAIL CLOCKWISE.  
GREASED FOR LIFE.  
PLATED STANDARD SHAFT.

MAX DRIVER BORE & KEY	
MAX IN LINE	MAX
$\phi 1.500$ .375 X .250 KEY	$\phi 1.875$ .500 X .375 KEY

**HANDWHEEL**  
RECOMMENDED  $\phi$ : 24 IN  
RIM PULL AT  
MAX TORQUE: 78 LBS  
TURNS FOR 90°: 15

RATIO: 60:1  
TORQUE: 21,000 IN LBS  
[2373 N-M]  
TEMPERATURE: -20° TO 150°F  
[-29° TO 66°C]  
WEIGHT  
UNIT: 40 LBS [18.2 KG]  
DRIVER: 13 LBS [5.9 KG]  
HANDWHEEL: 8 LBS [3.6 KG]

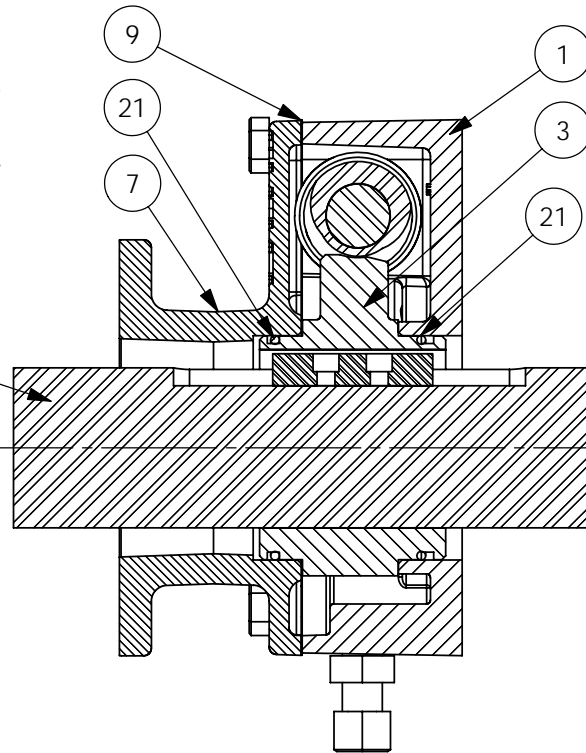
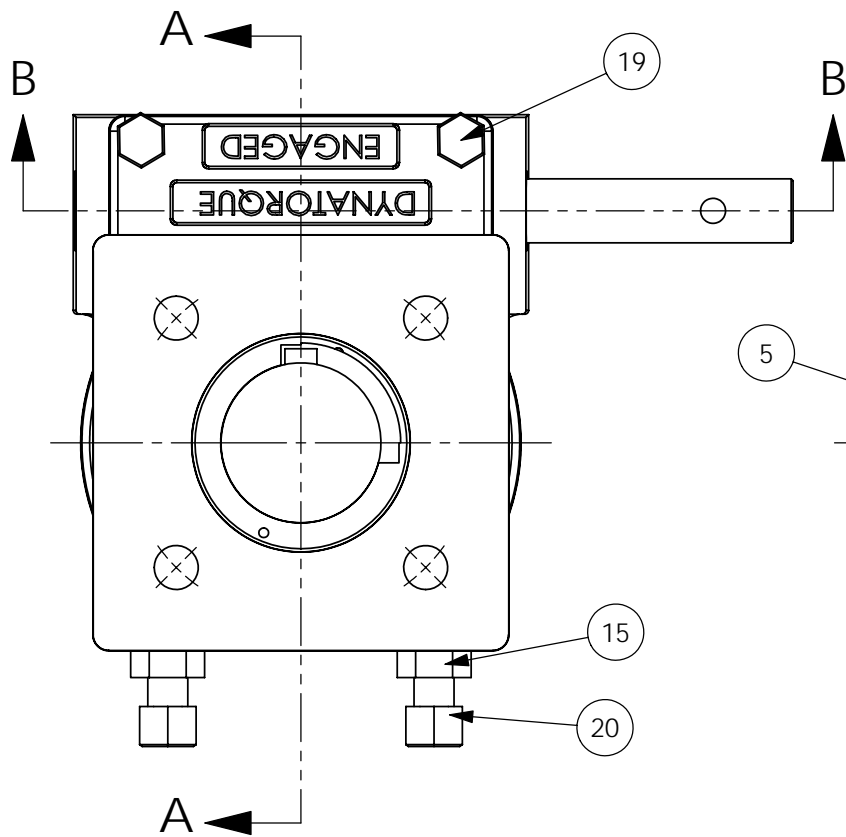
**HOUSING MOUNTING PATTERN**

**COVER MOUNTING PATTERN**

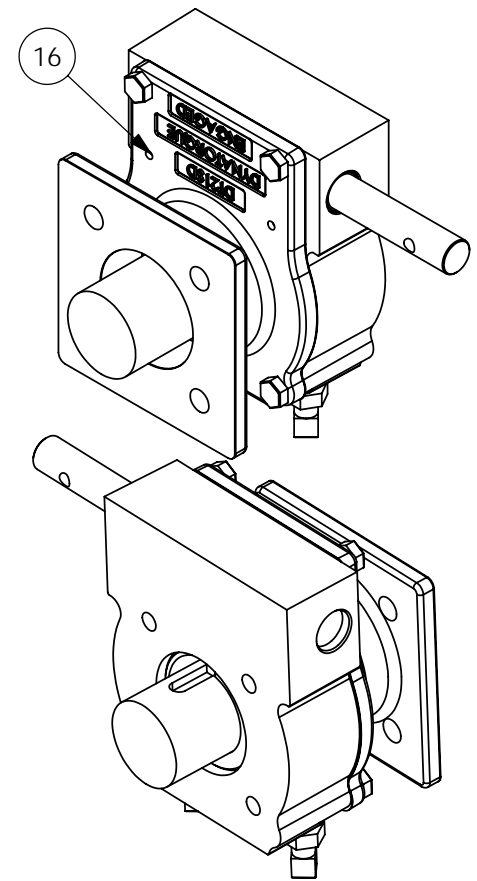
MAX	MAX ON CENTER	STD	MIN	MAX	MAX ON CENTER	STD	MIN
$\phi 7.000$ 3/4-10	$\phi 5.625$ 3/8-16	$\phi 5.512$ 5/8-11	$\phi 4.500$ 5/8-11	$\phi 7.750$ $\phi .812$	$\phi 5.813$ $\phi .688$	$\phi 5.510$ $\phi .688$	$\phi 5.500$ $\phi .562$

**MANUAL 1/4 TURN ACTUATOR  
COMMERCIAL GRADE**

**DYNATORQUE DT21 SRD**  
1934 E. SHERMAN MUSKEGON, MI 49444-1824  
(231) 739-1377 FAX (231) 739-4514  
WWW.DYNATORQUE.COM

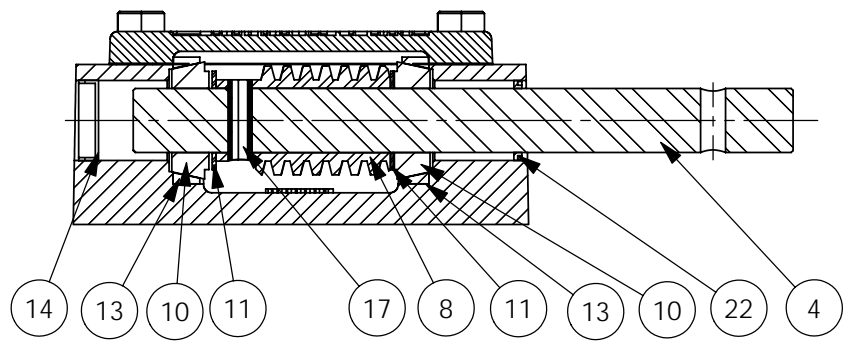


SECTION A-A



- 6 UNIT IS PAINTED BLACK OXIDE.
- 12 UNIT BEARINGS, O-RINGS AND GEAR TEETH ARE GREASED.

18 HWRR 24" NOT SHOWN.



SECTION B-B

ITEM	QTY.	DESCRIPTION	ITEM	QTY.	DESCRIPTION
1	1	HOUSING,DT21	14	1	EXPANSION PLUG,1.250,.31
2	4	PLASTIC PLUG FOR SHIPPING	15	2	NUT,JAM,5/8-11
3	1	W/WHEEL,DT21SRD	16	2	DOWEL PIN,.250,.75
4	1	SHAFT,DT16,G=7.74,.391	17	1	COIL PIN,.375,1.25
5	1	DR SRD, DT21, BLANK	18	1	HWRR 24"
6	1	BLACK OXIDE	19	4	HHCS, 1/2-13 X 1.00 LG
7	1	COVER,DT21SD	20	2	SHSS, 5/8-11 X 3.00
8	1	WORM,DT21	21	2	O-RING,2-236
9	1	COVER GASKET,DT16/21	22	1	LIP SEAL,1.00
10	2	ROLLER BRG, CONE	<b>DYNATORQUE</b> 1934 EAST SHERMAN MUSKEGON, MI 49444-1824 (231) 739-1377 FAX (231) 739-4514 WWW.DYNATORQUE.COM		<b>DT21 SRD</b>
11	2	THRUST WASHER,1.00,.061			
12	1	GREASE, COMMERCIAL GRADE			
13	2	ROLLER BRG, CUP			