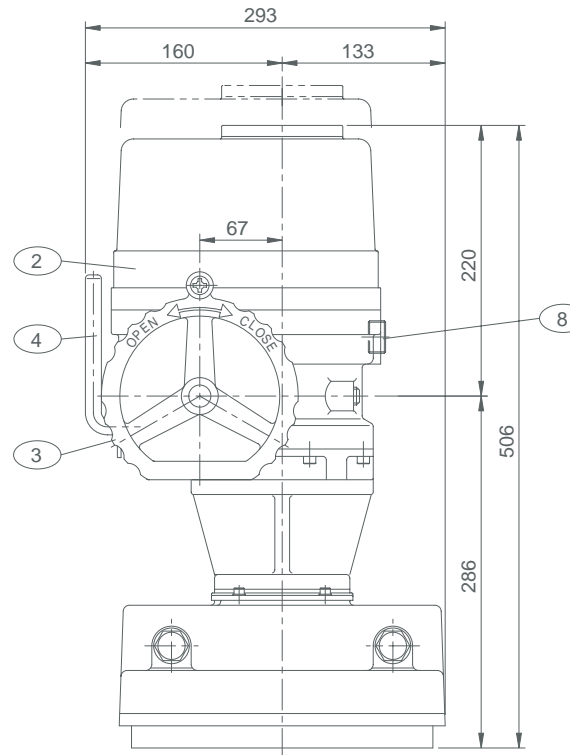
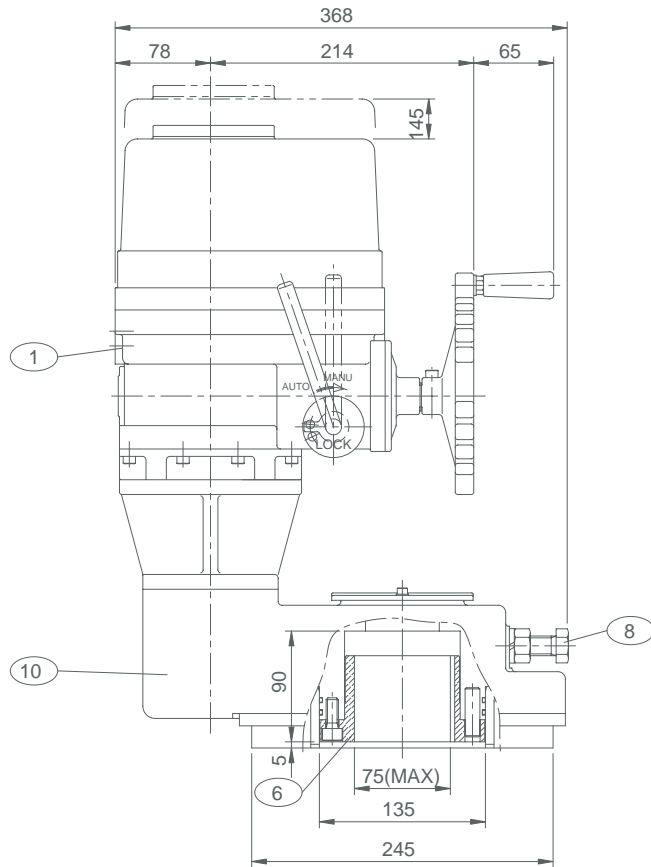


| NO | PART NAME | MATERIAL | Q'TY | REMARK |
|----|-----------------|----------|------|--------|
| 1 | BODY | AC2B | 1 | AC4C |
| 2 | TOP COVER | AC2B | 1 | AC4C |
| 3 | HANDLE | AC2B | 1 | |
| 4 | LEVER | SM45C | 1 | SUM24L |
| 5 | BASE | GC250 | 1 | |
| 6 | DRIVE BUSHING | SM45C | 1 | |
| 7 | INDICATOR | PC | 1 | |
| 8 | CONDUIT ENTRIES | | 2 | PF3/4" |
| 9 | STOPPER BOLTS | SUS316 | 2 | M16*80 |
| 10 | GEAR BOX | FC250 | 1 | l=1/3 |
| 11 | | | | |
| 12 | | | | |



| | |
|-----------|---|
| ITQ1500 | 1 |
| APPL,FILE | |

| | | | | | | | |
|--|--|-----------------|--|-----------|--|-------------|--|
| CONTROL S Ltd. http://www.i-tork.com | | | | MATERIAL | | PROJ. | |
| DRAWN | | DESIGN | | CHECKED | | APPROVER | |
| C.J. CHU | | C.J. CHU | | | | | |
| PART NAME | | DWG NO | | DIMENSION | | ISSU. DEPT. | |
| ITQ1500 LAYOUT | | ITQ1500-50010-A | | mm | | ITCDR | |
| | | | | SCALE | | DATE | |
| | | | | N/S | | '03.10.15 | |
| | | | | SIZE | | HEAT TREAT. | |
| | | | | A2 | | SURF. TRET. | |
| | | | | 1 | | 1 | |